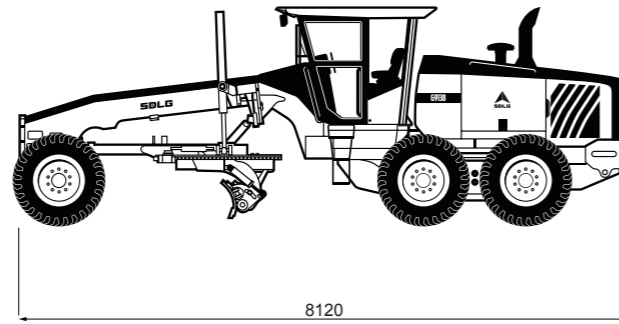
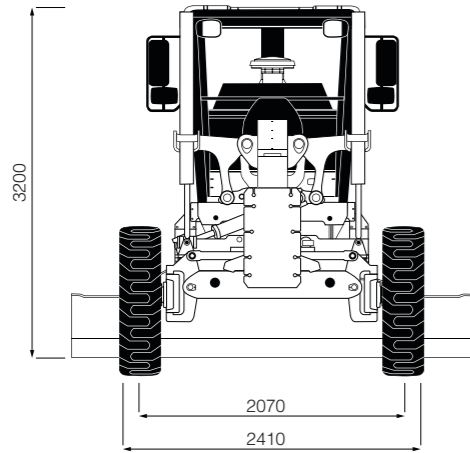
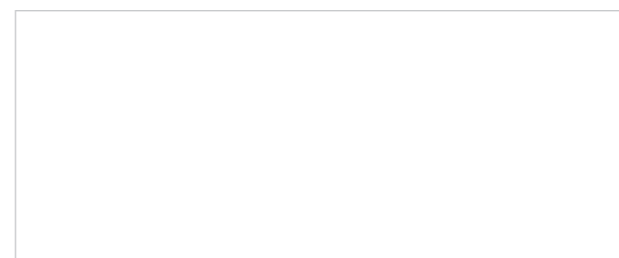


# Motor Grader G9138



Item	Specifications
<b>Performance</b>	
Overall Working Weight	12,000kg
Maximum Tilt Angle of the Front Wheel	±18°
Cutter Diameter	1375mm
Cutter Size (L x H x D)	3048 x 610 x 16mm
Blade Rotation Angle	360°
Blade Clearance	480mm
Maximum Blade Cutting Depth	575mm
Maximum Bank Sloping Angle	90°
Inclination Angle of Blade	47° forward / 5° backward
Sliding Range of Blade	500mm
Maximum Traction Force (f = 0.75)	77.5kN
Maximum Gradeability	20°
<b>Engine</b>	
Engine Model	Weichai Deutz WP6G140E22
Rated Power	105kW
Rated Rotation Speed	2200rpm
<b>Transmission System</b>	
Model	Hangchi YD13
Type, Gear Shift	Powershift, 6F / 3R
Maximum Forward / Backward Velocity	34 / 28 km/h
<b>Front &amp; Rear Axle</b>	
Model	Meichi Axle
Maximum Front Axle Swing Angle	±15°

Item	Specifications
<b>Tyre</b>	
Type	13-24-12PR
Tyre Pressure	0.27MPa
<b>Steering System</b>	
Maximum Steering Angle	±50°
Steering Angle of Articulated Frame	±25°
Minimum Turning Radius	6.5m
<b>Brake System</b>	
Type	Caliper Disc Brake
Service Brake Pressure	10.3MPa
<b>Fluid Capacity</b>	
Fuel Tank Capacity	170L
Hydraulic Tank Capacity	80L
<b>Operator Environment</b>	
Type	Open Canopy



## Reliability in Action

# MOTOR GRADER G9138



Ref. No. SDLGG9138.SG12.2015





# Motor Grader G9138

## Instrument panel

The instrument panel is fully digital with three-stage alarm electronic monitoring ensuring precise operator control. It is integrated with the entire machine for ease of inspection and maintenance.

## Canopy

Canopy to protect operator from weather conditions and with high visibility.

## Swing frame

Lubrication/maintenance-free composite bearing reduces friction with shock/wear-proof feature. Hydraulic lock cylinder improves ease of operation.

## Engine

High performance and reliable Weichai DEUTZ turbocharged engine meeting Tier II emission standard.



## Shovel

Shovel nose tool structure and cylinder are configured for high operating performance.

## Frame

Equipped with advanced Volvo dual-cylinder driven tray-type, dual rotatory cylinder and rotatory valve structure for better performance under demanding conditions.