



**TS200**  
(9 wheels / standard tire)



**T2**  
(7 wheels / wide tire)

## STATIC PNEUMATIC TIRED ROLLER

**10–15 tonne class static pneumatic tired roller for smooth finish and compaction on medium and large paving jobs.**

### Best Compaction Quality and Efficiency

- Pneumatic tires with uniform, high contact pressures and kneading effect achieve the target density.
- Wide tires overlap larger area (TS200 : 35mm, T2 : 55mm) so it would be great for asphalt pavement.
- Zero side clearance provides a full view of the tire edges for easy rolling along curbs and near buildings.
- Tilting mechanism of the front wheels provides continuous contact at all times on uneven surfaces for uniform compaction and a smooth finish.
- Pressurized water sprinkler system is standard to minimize pickup of hot mix asphalt (HMA) on tires.

### Operators Comfort

- Fold-down awning is standard for easy transportation.
- Quiet and comfortable with low noise level.

### High Safety Standards

- Five mirrors are standard safety equipment for good visibility.
- Flat floor and hand rail around the operator station protect operator against falling or tripping hazards.

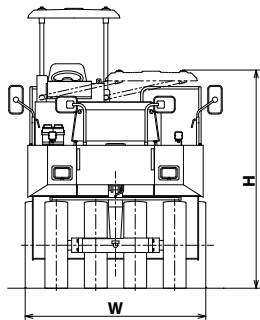
### Easy Maintenance

- Easy cleaning water tank with a large drain plug and sloped bottom.
- Water and release agent spray system with anti-clog package, i.e., triple-protection filtration, etc., and with perfect draining winterization.
- Water filter is easily cleaned by turning the lever. No need to change filters.
- Easy-access lubrication device for the drive chain is standard.

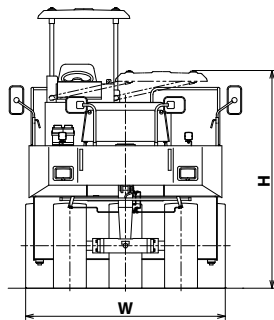


Option  
Cabin with air conditioner

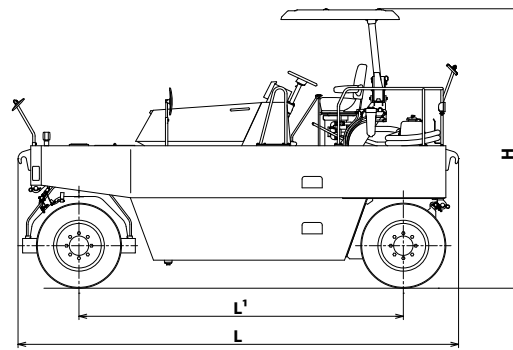
# TS200-T2



TS200



T2



TYPE		Static Pneumatic Tired Roller	
MODEL		TS200	T2
CHASSIS MODEL		6TS10	6T5
<b>WEIGHTS</b>	Max. operating weight with AWNING		
	with METAL BALLAST	kg (lbs)	10,580 (23,325)
	with WATER BALLAST	kg (lbs)	13,080 (28,835)
	with METAL & WATER BALLAST	kg (lbs)	15,080 (33,245)
	Operating weight with AWNING	kg (lbs)	10,790 (23,785)
	Load on front axle (with operating weight)	kg (lbs)	4,310 (9,500)
	Load on rear axle (with operating weight)	kg (lbs)	6,480 (14,285)
<b>PERFORMANCE</b>	Number of speed shifts		4
	Speed range (Forward & Reverse) (1/2/3/4)	km/h (mph)	0-4 / 0-7 / 0-11 / 0-19 (0-2.5 / 0-4.3 / 0-6.8 / 0-11.8)
	Gradeability	% (°)	42 (22)
	Turning radius outside compacted surface	m (in)	6.8 (268)
<b>DIMENSIONS</b>	Overall length <b>L</b>	mm (in)	5,040 (198)
	Overall width <b>W</b>	mm (in)	2,065 (81)
	Overall height <b>H</b> (fold/unfold)	mm (in)	2,490 / 3,205 (98 / 126)
	Wheelbase <b>L'</b>	mm (in)	3,700 (146)
	Compaction width <b>W</b>	mm (in)	2,065 (81)
	Tire size x Number of tires (Front/Rear)		9.00 - 20 - 10PR (OR) x 4 / 9.00 - 20 - 10PR (OR) x 5
	Inflation (each wheel)	kPa (psi)	525 (76.1)
	Overlap	mm (in)	35 (1.4)
	Ground clearance (with ballast/without ballast)	mm (in)	225 / 295 (9 / 12)
	Curb clearance	mm (in)	∞
<b>ENGINE</b>	Side clearance	mm (in)	0
	Make		ISUZU
	Model		BB-6BG1
	Type		Diesel, water-cooled, 4-cycle, direct injection type
	Engine emission standard		Japan stage II : equivalent
	Displacement	L ( cu.in )	6.494 (396.3)
	Rated output	kW (HP)/min <sup>-1</sup>	70.5 (95) / 1,800
<b>DRIVE SYSTEM</b>	Electric system battery	V (V/Ah x Qty)	24 (12 / 100 x 2)
	Electric system alternator	V/A	24 / 25
<b>DRIVE SYSTEM</b>	Transmission		Mechanical transmission
	Differential type		Auto lock type
	Drive wheel		Rear wheels
<b>BRAKE SYSTEM</b>	Service brake		Hydraulic, internal expanding type / Brake pedal
	Parking brake		Mechanical, internal expanding type / Side lever
<b>STEERING SYSTEM</b>	Power transmission type		Hydraulic
	Articulation/Oscillation angle	± (°)	38 / 6.0
<b>FLUID CAPACITY</b>	Fuel tank	L (gal)	95 (25.1)
	Hydraulic tank	L (gal)	7 (1.8)
	Sprinkler tank	L (gal)	4,500 (1,188.8)
	Liquid tank	L (gal)	19 (5.02) option
	METAL BALLAST (option)	kg (lbs)	2,000 (4,410)

- Specified figures have a tolerance of ±5%.
- All specifications may be changed without notice.
- Specified figures are in SI Units, followed by their equivalent in English units of measurement in parentheses.
- Max. operating weight : Fuel=100%, Water=100%, Operator=75 kg
- Operating weight : Fuel=50%, water=50%, operator=75 kg
- The photos may contain optional equipment and/or attachment.

\* Using low quality fuel may cause engine failure.

#### Standard Equipment :

- Instrument ● Gauges ● Back up alarm ● Horn ● AWNING
- Sliding seat ● Head light ● Working light ● Turn signal lamp
- Mirrors ● Pressurized water sprinkler system
- Intermittent water spray timer ● Release agent spray system (T2)
- 4 points lifting

#### Optional Equipment :

- Cabin with air conditioner ● Cocomat
- Road sprinkler system ● Release agent spray system (TS200)
- METAL BALLAST (2t)



ISO9001 certified Tokyo Head Office,  
Tokyo Factory, Global Service Division,  
Technical Development Division.



**SAKAI HEAVY INDUSTRIES, LTD.**

HEAD OFFICE: 1-4-8, SHIBA DAIMON, MINATO-KU, TOKYO JAPAN  
TELEPHONE: +81-3-3431-9971  
FACSIMILE: +81-3-3436-6212